

Series 560

Wet-to-Wet Pressure Transducer



Features & Applications

- All wetted parts made of Series 300 stainless steel
- Provided in a rugged NEMA 4 enclosure
- Perfect for harsh applications such as chillers, boilers and refrigerant systems
- Available in both gauge and differential versions
- Customizable for any pressure range from 0/20PSI to 0/500PSI
- One of the most cost-effective wet-to-wet transducers on the market

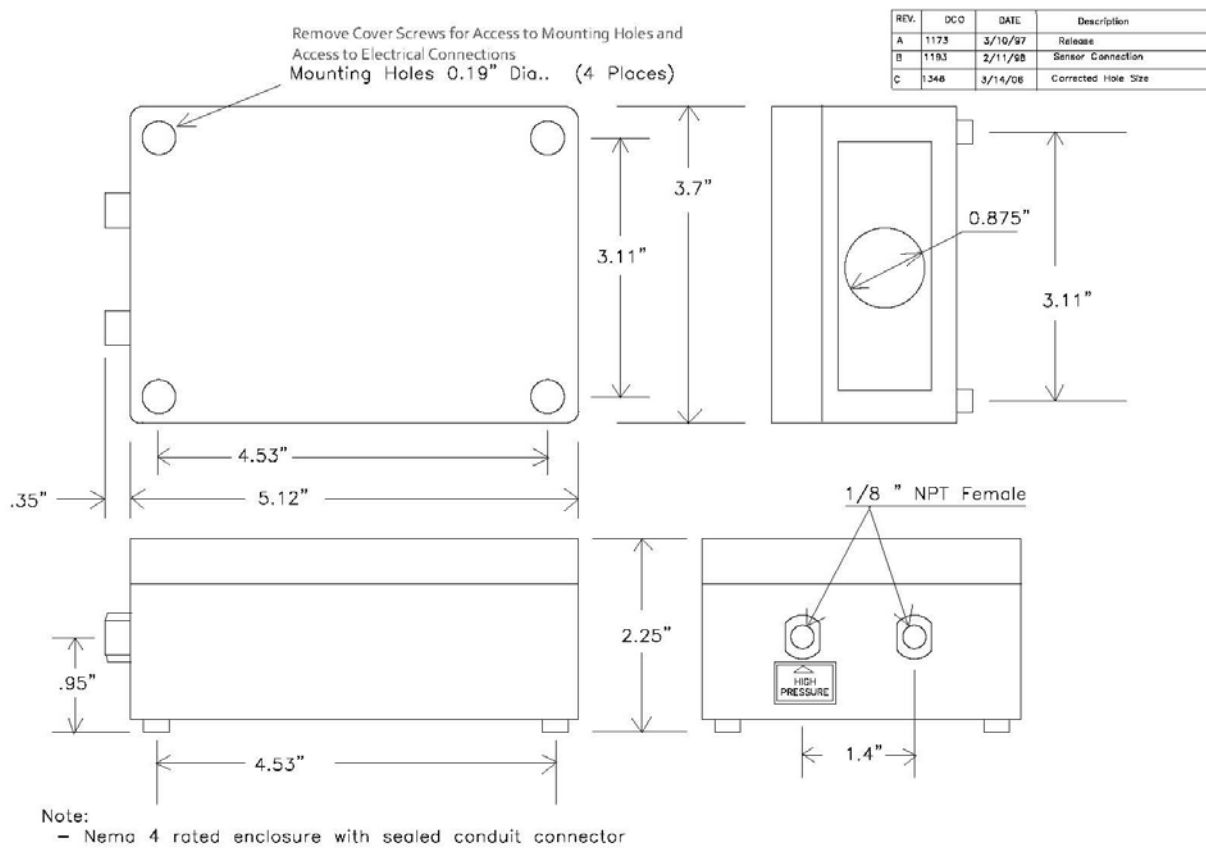
Specifications

Accuracy*:	+/-0.5% FSO
Stability:	+/-0.5% FSO/yr
Thermal Effects:	+/-0.02% FSO/°C
Overpressure:	2 times FSP or 700PSI whichever is less
FSO Pressure Range:	0/20PSI up to 0/500PSI
Compensated Range:	10° to 50°C
Media:	Any media, wet or dry, compatible with series 300 stainless steel
Operating Humidity:	NEMA 4 levels with proper conduit connections
Operating Temp:	-25° to 70°C
Input Supply:	24VDC/24VAC
Supply Current:	< 35mA
Load Resistance:	2K minimum on voltage out, 700Ω, maximum loop resistance on 4-20mA output
Output Signal:	0-5VDC, 0-10VDC or 4-20mA
Adjustments:	Zero and Span. 10% of FSO minimum adjustment
Electrical Connections:	Internal screw terminals
Pressure Connections:	1/8" NPT Female
Enclosure:	NEMA 4 enclosure
Dimensions:	Approx. 5.12" x 3.70" x 2.25" (13.00cm x 9.40cm x 5.72cm)

* Includes non-linearity hysteresis and non-repeatability at a fixed temperature

Note: Controller Sensors LLC reserves the right to make changes at any time to any products herein. Controller Sensors LLC does not assume any liability arising out of the application or use of any product described herein, neither does it convey any license under its patent rights nor the rights of others.

Physical Drawing



How to Order

A typical order number consists of the **model** number, **type**, **output signal**, **pressure range** and **calibration pressure**.

<u>Model</u>	<u>Type</u>	<u>Output Signal</u>	<u>FSO Pressure Range</u>	<u>Calibration Pressure</u>
560	D = Differential or Gage	0-5VDC 0-10VDC 4-20mA	4..... 20PSI to 50PSI 6.....>50PSI to 100PSI 7.....>100PSI to 500PSI	Customer designated exact FSO

Example: 560D 4-20mA Cal Pressure = 0-30PSI (Model number 560, differential type unit, output signal of 4-20mA, pressure range up to 500PSI, calibrated to 0-30PSI FSO).